

Straightpoint LLP

Pienikokoinen ja kevyt koukkuvaaka erilaisiin punnituksiin ja testaukseen.



Straightpoint LLP koukkuvaakoja on 13 mallia. Punnituskapasiteetit 1- 300 tn.

Mikroprosessoripohjainen elektroniikka mahdollistaa mittauksissa suuren mittatarkkuuden jopa 500 tulosta / sekunti.

Vakaa toiminta mahdollistaa jakoväliksi yli 5000 askelta.

Korkealuokkaisilla materiaaleilla saavutetaan suuri turvakerroin jopa 12:1.

Toiminnot: Punnitus, taaraus, eri mittayksiköt, huipunpito näytössä, ominaisuus on tärkeä erilaisissa testeissä. Äänimerkki esiasetetulle arvolle.

Mittausyksiköt: kg, lbs, kN ja tonnit.

Varustettu RS 485- liitännällä. Voidaan varustaa Straightpoint HHP-lisänäytöllä.

Saatavissa myös Desktop Controller Software ohjelma PC:lle jolla saadaan mittaustulokset tallennettua ja tehtyä mittauspöytäkirjat.

Laite toimitetaan lukittavassa kuljetuslaukussa. Mukana on myös kalibrointitodistus. Katso laitteen mitat ja muut tekniset tiedot alla olevasta valmistajan esitteestä



loadlink plus



Known worldwide as the original electronic force measurement device to feature an integral display, the Loadlink Plus has been in production since 1979. Over the years the line has been expanded and the Loadlink Plus is now used on a daily basis for load monitoring and heavy lifts ranging in capacity from 1t to 500t, by a variety of industrial and commercial industries including manufacturing, transportation, agriculture, oil and gas, utilities, aerospace and clean energy.

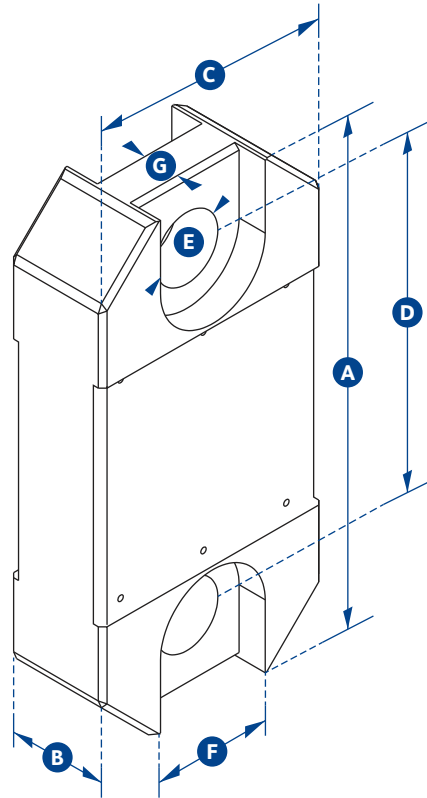
This latest version of the well-known product has advanced features and benefits providing solutions for today's complicated load test and force monitoring needs. The Loadlink Plus features full function push button controls for tare, choice of units (lbs, kg, kN, and tonnes), peak hold, preset tare, audible set-point alarm and an overload counter.

The advanced microprocessor based electronics provide the Loadlink Plus with high speed read rates (500/sec), extreme resistance to industrial level noise and unprecedented stability. This high stability gives the Loadlink Plus over 5,000 divisions and the highest standard resolution of any digital dynamometer on the market today. Constructed of high-grade aircraft quality aluminium, Straightpoint's advanced internal design structure allows the product to once again top the charts with an unmatched weight to strength ratio. Straightpoint's link style dynamometers are on average 30% lighter than our closest competitor with the same safety rating.

Features and benefits:

- Large LCD display
- High accuracy
- Selectable units
- High resolution
- Peak hold
- Tare
- Lightweight
- Preset tare
- Overload counter
- Audible set point alarm
- RS-485 serial output
- Design validated by F.E.A.

metric specifications



loadlink plus

Part Number	LLP1T	LLP2T5	LLP5T	LLP12T	LLP25T	LLP35T	LLP50T	LLP75T	LLP100T	LLP150T	LLP200T	LLP250T	LLP300T
Capacity	1,000kg	2.5te	5te	12te	25te	35te	50te	75te	100te	150te	200te	250te	300te
Resolution	0.5kg	0.001te	0.001te	0.002te	0.005te	0.005te	0.01te	0.01te	0.05te	0.05te	0.1te	0.1te	0.1te
Units	te, lbs, kg & kN												
Weight	1.4kg	1.4kg	2kg	3.2kg	5kg	8.6kg	11.5kg	16kg	34kg	46kg	72kg	72kg	118kg
Safety Factor	12:1	5:1	5:1	5:1	5:1	5:1	5:1	5:1	5:1	4:1	5:1	4:1	5:1
Battery Type	9v PP3												
Battery Life	80 hours continuous												
Display Type	6 digit 25mm LCD												
Operating Temp	-10°C to +50°C												
Accuracy	± 0.3% of applied load												
Protection	IP65												
Dimension A	204	204	249	305	340	393	424	470	608	670	700	700	806
Dimension B	43	43	43	47	60	75	75	75	99	99	144	144	150
Dimension C	101	101	101	101	115	126	163	202	255	303	320	320	426
Dimension D	146	146	165	193	215	225	230	260	320	360	350	350	350
Dimension E	24.5	24.5	38	47.5	55	60	76	76	109	109	132	132	160
Dimension F	48	48	66	Not available on this capacity									
Dimension G	19	19	32	Not available on this capacity									
Crosby Shackle	G2130						G2140						
Loading Pin Ø	19	19	25	35	51	57	57	70	83	95	121	127	152

STRAIGHTPOINT SOFTWARE & SYSTEMS

At Straightpoint we pride ourselves on the technologically advanced development and distribution of world-class load monitoring, solution based systems. Our wired and wireless windows based software, and full line of accessories, allow for the easy acquisition and manipulation of force and load monitoring data. Viewing and simultaneous data logging has never before been this simple.

Our easy to use software solutions provide for the printing of load reports, confirmation of mass and center of gravity, and allow for the concurrent display and data logging of up to 30 Straightpoint wireless load cells from a single PC.

The full range of accessories give you the option of either wired or wireless PC and PLC integration via an Analog or Serial output, wireless overload notification and the ability to increase wireless range and coverage via an active repeater/signal booster module.

All of our system solutions and accessories are in stock and are ready for quick delivery to anywhere in the world. Email your enquiry to sales@straightpoint.com

WCOGS**SW-MWLC****DCP10M**

DATALOGGING SOFTWARE – DCP10M DESKTOP CONTROLLER

The desktop controller datalogging software allows you to view and control (tare, peak hold etc) live loads on the PC screen and log the data into a .CSV file at a speed of up to 10Hz.

You may also record a single reading into a Microsoft Word .doc (useful for test certificates etc)

Cable Version Part Number: **DCP10M**

For connection to [Loadlink Plus](#), [Miniweigher](#), [Loadblock](#) and [Handheld Plus](#).

Kit comprises:

1 x CD with software and manual.

1 x RS485 – USB convertor

1 x 10 metre / 30 foot cable assembly

Suitable for use on PC's running Windows 98, XP, Vista or Win7.

